

产品承认书

Specification For Approved

版本: REV.A00

客户名称/Customer name:	N/A
客户品名/Customer name:	N/A
客户型号/Customer Model number:	N/A
客户料号/Customer material number:	N/A
巨维品名/JW name:	Magnetic enclosure shielding inductance
巨维型号/JW Model number:	IRSD103-105 Series
巨维料号/JW Material number:	N/A

巨维签署/JW Signed			客户承认/Customer Approval		
制定 Prepared By	审核 Checked By	批准 Approved By	确认 Confirm By	审核 Checked By	承认 Approved By
唐秀玲	王瑞琳	欧奇林			
2024.8.22	2024.8.22	2024.8.22			

公司地址: 深圳市宝安区西乡街道臣田工业区 34 栋奥芯创新研究院 3018 室

Address: Room 3018, Aoxin Innovation Research Institute, Building 34, Chentian Industrial Zone, Xixiang Street, Baoan District, Shenzhen

工厂地址: 中国 湖南省 衡阳市 衡山科学城 2-10 栋

Address: Building 2-10, Hengshan Science City, Hengyang City, Hunan Province, China

JS-RD-SPEC-001/A0

客户名称 Customer	N/A	品名 Name	Magnetic enclosure shielding inductance	版本 Ver.	A00
客户型号 Model No.	N/A	料号 Material No.	N/A	日期 Date	2024.8.22
客户料号 Customer No.	N/A	型号 Model No.	IRSD103-105 Series	发行号 Release No.	JS-S-24082205

变更履历/Modify Record

版本 Ver.	变更内容/Change content	日期 Date	制定 Prepared By	审核 Checked By
A00	新发行/New release	2024.8.22	唐秀玲	王瑞琳

公司地址：深圳市宝安区西乡街道臣田工业区 34 栋奥芯创新研究院 3018 室

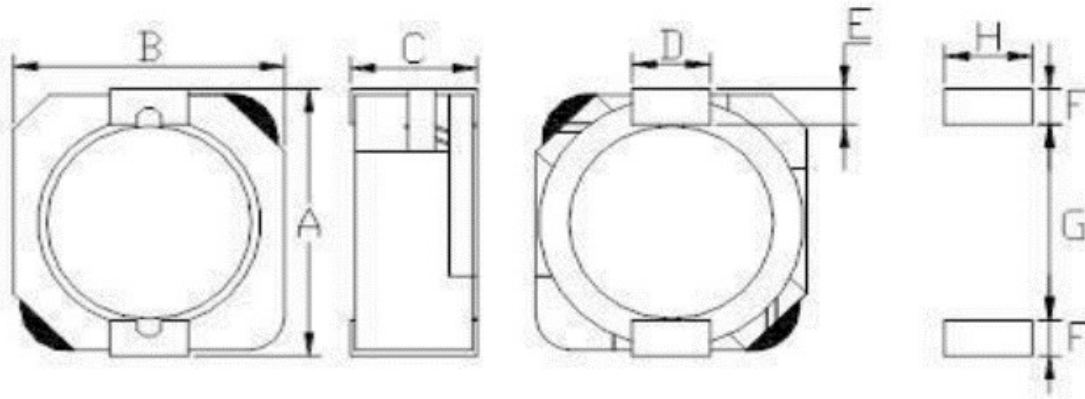
Address: Room 3018, Aoxin Innovation Research Institute, Building 34, Chentian Industrial Zone, Xixiang Street, Baoan District, Shenzhen

工厂地址：中国 湖南省 衡阳市 衡山科学城 2-10栋

Address: Building 2-10, Hengshan Science City, Hengyang City, Hunan Province, China

客户名称 Customer	N/A	品名 Name	Magnetic enclosure shielding inductance	版本 Ver.	A00
客户型号 Model No.	N/A	料号 Material No.	N/A	日期 Date	2024.8.22
客户料号 Customer No.	N/A	型号 Model No.	IRSD103-105 Series	发行号 Release No.	JS-S-24082205

1. 产品形状尺寸(单位:毫米)/Product Shape size(Unit:mm):



Series	Dimensions(mm)							
	A	B	C Max	D	E	F Ref.	G Ref.	H Ref.
IRSD103A	10.2±0.3	10.0±0.3	2.8±0.3	3	1.2	1.6	7.3	3.2
IRSD104A	10.2±0.3	10.0±0.3	3.8±0.3	3	1.2	1.6	7.3	3.2
IRSD105A	10.2±0.3	10.0±0.3	4.8±0.3	3	1.2	1.6	7.3	3.2

公司地址: 深圳市宝安区西乡街道臣田工业区 34 栋奥芯创新研究院 3018 室

Address: Room 3018, Aoxin Innovation Research Institute, Building 34, Chentian Industrial Zone, Xixiang Street, Baoan District, Shenzhen

工厂地址: 中国 湖南省 衡阳市 衡山科学城 2-10栋

Address: Building 2-10, Hengshan Science City, Hengyang City, Hunan Province, China

客户名称 Customer	N/A	品名 Name	Magnetic enclosure shielding inductance	版本 Ver.	A00
客户型号 Model No.	N/A	料号 Material No.	N/A	日期 Date	2024.8.22
客户料号 Customer No.	N/A	型号 Model No.	IRSD103-105 Series	发行号 Release No.	JS-S-24082205

2. 品名型号命名指南/Nomenclature guidelines for product models:

J - IRSD 103 A - 2R2 M - X
① ② ③ ④ ⑤ ⑥ ⑦

①	公司名称代码/Company name code
J	巨晟电子代码/JUSHENG electronic code
②	产品系列代码/Product family code
IRSD	磁罩屏蔽电感/Magnetic enclosure shielding inductance
③	产品外形尺寸(毫米)/Product dimension(mm)
103	长10.0*宽10.0*高3.0毫米/Length10.0 *Width10.0 *Height3.0mm
④	外观形状区分代码, 请参考产品形状尺寸页面
A	Appearance shape distinguishes the code ,Please refer to the product shape and size page
⑤	电感量标识(亨利)/Inductance identification(H)
2R2	R22(0.22μH) , 2R2(2.2μH) , 100(10μH) , 221(220μH) , 202(2000μH)
⑥	电感容差字母代码/Inductance tolerance letter code
M	J±5% , K±10% , L±15% , M±20% , P±25% , N±30%
⑦	内部管理代码/Internal management code
X	无代码为常规产品, 其它请咨询/No code regular product, other please consult

3. 环境数据/Environmental data:

Operating Temperature range : -40 ~ +100°C(Including coil's self temperature rise)

Storage Temperature range : -40 ~ +100°C

Solder reflow temperature : 260°C peak

公司地址: 深圳市宝安区西乡街道臣田工业区 34 栋奥芯创新研究院 3018 室

Address: Room 3018, Aoxin Innovation Research Institute, Building 34, Chentian Industrial Zone, Xixiang Street, Baoan District, Shenzhen

工厂地址: 中国 湖南省 衡阳市 衡山科学城 2-10栋

Address: Building 2-10, Hengshan Science City, Hengyang City, Hunan Province, China

客户名称 Customer	N/A	品名 Name	Magnetic enclosure shielding inductance	版本 Ver.	A00
客户型号 Model No.	N/A	料号 Material No.	N/A	日期 Date	2024.8.22
客户料号 Customer No.	N/A	型号 Model No.	IRSD103-105 Series	发行号 Release No.	JS-S-24082205

4. 电气性能表/Electrical Characteristics List:

IRSD103-104Series

NO.	Part Number	Inductance (uH)	Test Freq. (KHz)	DCR Max. (Ω)	Isat A	Itemp A
1	J-IRSD103A-R80N	0.80	100/0.25	0.0060	11.2000	8.300
2	J-IRSD103A-1R5N	1.50	100/0.25	0.0110	8.0000	5.800
3	J-IRSD103A-2R2N	2.20	100/0.25	0.0170	6.7000	5.100
4	J-IRSD103A-3R3N	3.30	100/0.25	0.0210	5.5600	4.700
5	J-IRSD103A-4R7N	4.70	100/0.25	0.0300	4.6500	4.000
6	J-IRSD103A-6R8N	6.80	100/0.25	0.0350	3.8400	3.600
7	J-IRSD103A-8R2N	8.20	100/0.25	0.0500	3.5400	3.000
8	J-IRSD103A-100N	10.00	100/0.25	0.0590	3.1800	2.800
9	J-IRSD103A-150N	15.00	100/0.25	0.0910	2.6000	2.050
10	J-IRSD103A-220N	22.00	100/0.25	0.1430	2.1600	1.600
11	J-IRSD103A-330N	33.00	100/0.25	0.2020	1.7400	1.350
12	J-IRSD103A-470N	47.00	100/0.25	0.2990	1.4300	1.200
13	J-IRSD103A-560N	56.00	100/0.25	0.3250	1.3600	1.150
14	J-IRSD103A-680N	68.00	100/0.25	0.4290	1.2200	0.950
15	J-IRSD103A-820N	82.00	100/0.25	0.4940	1.1400	0.800
16	J-IRSD103A-101M	100.00	100/0.25	0.6830	1.0200	0.700
17	J-IRSD103A-121M	120.00	100/0.25	0.7540	0.8900	0.650
18	J-IRSD103A-151M	150.00	100/0.25	0.8710	0.8400	0.510
19	J-IRSD104A-1R5N	1.50	100/0.25	0.0080	10.0000	6.500
20	J-IRSD104A-2R7N	2.70	100/0.25	0.0110	7.5000	6.100
21	J-IRSD104A-3R9N	3.90	100/0.25	0.0130	6.0000	5.500
22	J-IRSD104A-5R2N	5.20	100/0.25	0.0220	5.5000	5.400

Test remarks:

- 1.Isat:DC current at which the inductance drops approximate 35%from its value without current;
- 2.Itemp:DC current that causes the temperature rise($\Delta T = 40^{\circ}C$)from 25°C ambient.

公司地址: 深圳市宝安区西乡街道臣田工业区 34 栋奥芯创新研究院 3018 室

Address: Room 3018, Aoxin Innovation Research Institute, Building 34, Chentian Industrial Zone, Xixiang Street, Baoan District, Shenzhen

工厂地址: 中国 湖南省 衡阳市 衡山科学城 2-10栋

Address: Building 2-10, Hengshan Science City, Hengyang City, Hunan Province, China

客户名称 Customer	N/A	品名 Name	Magnetic enclosure shielding inductance	版本 Ver.	A00
客户型号 Model No.	N/A	料号 Material No.	N/A	日期 Date	2024.8.22
客户料号 Customer No.	N/A	型号 Model No.	IRSD103-105 Series	发行号 Release No.	JS-S-24082205

4. 电气性能表/Electrical Characteristics List:

IRSD104Series

NO.	Part Number	Inductance (uH)	Test Freq. (KHz)	DCR Max. (Ω)	Isat A	Itemp A
1	J-IRSD104A-6R8N	6.80	100/0.25	0.0270	4.8000	4.500
2	J-IRSD104A-100N	10.00	100/0.25	0.0350	4.4000	3.800
3	J-IRSD104A-120N	12.00	100/0.25	0.0460	3.7000	3.400
4	J-IRSD104A-150N	15.00	100/0.25	0.0500	3.6000	3.100
5	J-IRSD104A-180N	18.00	100/0.25	0.0690	3.1000	2.600
6	J-IRSD104A-220N	22.00	100/0.25	0.0730	2.9000	2.500
7	J-IRSD104A-270N	27.00	100/0.25	0.0880	2.6000	2.300
8	J-IRSD104A-330N	33.00	100/0.25	0.0930	2.3000	2.200
9	J-IRSD104A-390N	39.00	100/0.25	0.1270	2.2000	2.000
10	J-IRSD104A-470N	47.00	100/0.25	0.1280	2.1000	1.900
11	J-IRSD104A-560N	56.00	100/0.25	0.1880	1.6500	1.500
12	J-IRSD104A-680N	68.00	100/0.25	0.2130	1.5000	1.420
13	J-IRSD104A-820M	82.00	100/0.25	0.2830	1.4500	1.300
14	J-IRSD104A-101M	100.00	100/0.25	0.3040	1.3500	1.250
15	J-IRSD104A-121M	120.00	100/0.25	0.3750	1.2000	1.080
16	J-IRSD104A-151M	150.00	100/0.25	0.5060	1.1500	0.850
17	J-IRSD104A-181M	180.00	100/0.25	0.5680	1.0000	0.750
18	J-IRSD104A-221M	220.00	100/0.25	0.7560	0.9200	0.700
19	J-IRSD104A-271M	270.00	100/0.25	0.8530	0.8400	0.550
20	J-IRSD104A-331M	330.00	100/0.25	1.0900	0.7000	0.520
21						
22						

Test remarks:

- 1.Isat:DC current at which the inductance drops approximate 35%from its value without current;
- 2.Itemp:DC current that causes the temperature rise($\Delta T = 40^{\circ}C$)from 25°C ambient.

公司地址: 深圳市宝安区西乡街道臣田工业区 34 栋奥芯创新研究院 3018 室

Address: Room 3018, Aoxin Innovation Research Institute, Building 34, Chentian Industrial Zone, Xixiang Street, Baoan District, Shenzhen

工厂地址: 中国 湖南省 衡阳市 衡山科学城 2-10栋

Address: Building 2-10, Hengshan Science City, Hengyang City, Hunan Province, China

客户名称 Customer	N/A	品名 Name	Magnetic enclosure shielding inductance	版本 Ver.	A00
客户型号 Model No.	N/A	料号 Material No.	N/A	日期 Date	2024.8.22
客户料号 Customer No.	N/A	型号 Model No.	IRSD103-105 Series	发行号 Release No.	JS-S-24082205

4. 电气性能表/Electrical Characteristics List:

IRSD105Series

NO.	Part Number	Inductance (uH)	Test Freq. (KHz)	DCR Max. (Ω)	Isat A	Itemp A
1	J-IRSD105A-R80N	0.80	100/0.25	0.0050	9.5000	13.500
2	J-IRSD105A-1R5N	1.50	100/0.25	0.0060	8.3000	10.500
3	J-IRSD105A-2R2N	2.20	100/0.25	0.0080	7.5000	9.250
4	J-IRSD105A-3R3N	3.30	100/0.25	0.0110	6.5000	7.800
5	J-IRSD105A-4R7N	4.70	100/0.25	0.0130	6.1000	6.400
6	J-IRSD105A-6R8N	6.80	100/0.25	0.0180	5.4000	5.400
7	J-IRSD105A-8R2N	8.20	100/0.25	0.0200	5.0000	4.850
8	J-IRSD105A-100N	10.00	100/0.25	0.0260	4.5000	4.450
9	J-IRSD105A-120N	12.00	100/0.25	0.0330	3.8000	4.000
10	J-IRSD105A-150N	15.00	100/0.25	0.0410	3.4000	3.600
11	J-IRSD105A-180N	18.00	100/0.25	0.0460	3.1000	3.200
12	J-IRSD105A-220N	22.00	100/0.25	0.0610	2.9000	2.950
13	J-IRSD105A-270N	27.00	100/0.25	0.0690	2.6000	2.700
14	J-IRSD105A-330N	33.00	100/0.25	0.0840	2.5000	2.400
15	J-IRSD105A-390N	39.00	100/0.25	0.1060	2.2500	2.300
16	J-IRSD105A-470N	47.00	100/0.25	0.1300	2.0000	2.000
17	J-IRSD105A-560N	56.00	100/0.25	0.1490	1.9000	1.900
18	J-IRSD105A-680N	68.00	100/0.25	0.2010	1.6000	1.650
19	J-IRSD105A-820N	82.00	100/0.25	0.2270	1.4500	1.500
20	J-IRSD105A-101M	100.00	100/0.25	0.2530	1.3500	1.350
21	J-IRSD105A-121M	120.00	100/0.25	0.3030	1.1800	1.280
22	J-IRSD105A-151M	150.00	100/0.25	0.3700	1.1000	1.120

Test remarks:

- 1.Isat:DC current at which the inductance drops approximate 35%from its value without current;
- 2.Itemp:DC current that causes the temperature rise($\Delta T = 40^{\circ}C$)from 25°C ambient.

公司地址: 深圳市宝安区西乡街道臣田工业区 34 栋奥芯创新研究院 3018 室

Address: Room 3018, Aoxin Innovation Research Institute, Building 34, Chentian Industrial Zone, Xixiang Street, Baoan District, Shenzhen

工厂地址: 中国 湖南省 衡阳市 衡山科学城 2-10栋

Address: Building 2-10, Hengshan Science City, Hengyang City, Hunan Province, China

客户名称 Customer	N/A	品名 Name	Magnetic enclosure shielding inductance	版本 Ver.	A00
客户型号 Model No.	N/A	料号 Material No.	N/A	日期 Date	2024.8.22
客户料号 Customer No.	N/A	型号 Model No.	IRSD103-105 Series	发行号 Release No.	JS-S-24082205

4. 电气性能表/Electrical Characteristics List:

IRSD105Series

NO.	Part Number	Inductance (uH)	Test Freq. (KHz)	DCR Max. (Ω)	Isat A	Itemp A
1	J-IRSD105A-181M	180.00	100/0.25	0.4190	1.0000	1.040
2	J-IRSD105A-221M	220.00	100/0.25	0.5000	0.9400	0.940
3	J-IRSD105A-271M	270.00	100/0.25	0.6720	0.8000	0.840
4	J-IRSD105A-331M	330.00	100/0.25	0.8120	0.7300	0.750
5	J-IRSD105A-391M	390.00	100/0.25	0.9530	0.7000	0.700
6	J-IRSD105A-471M	470.00	100/0.25	1.2890	0.5400	0.600
7	J-IRSD105A-561M	560.00	100/0.25	1.4300	0.5200	0.540
8	J-IRSD105A-681M	680.00	100/0.25	1.5990	0.5100	0.520
9	J-IRSD105A-821M	820.00	100/0.25	1.7680	0.4800	0.500
10	J-IRSD105A-102M	1000.00	100/0.25	1.9890	0.4200	0.480
11						
12						
13						
14						
15						
16						
17						
18						
19						
20						
21						
22						

Test remarks:

- 1.Isat:DC current at which the inductance drops approximate 35%from its value without current;
- 2.Itemp:DC current that causes the temperature rise($\Delta T = 40^{\circ}C$)from 25°C ambient.

公司地址: 深圳市宝安区西乡街道臣田工业区 34 栋奥芯创新研究院 3018 室

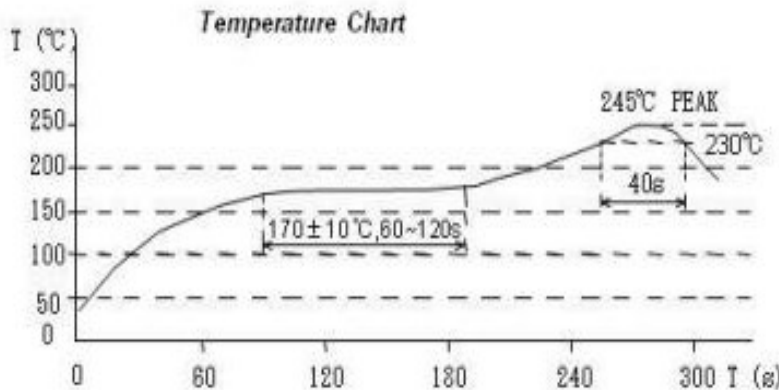
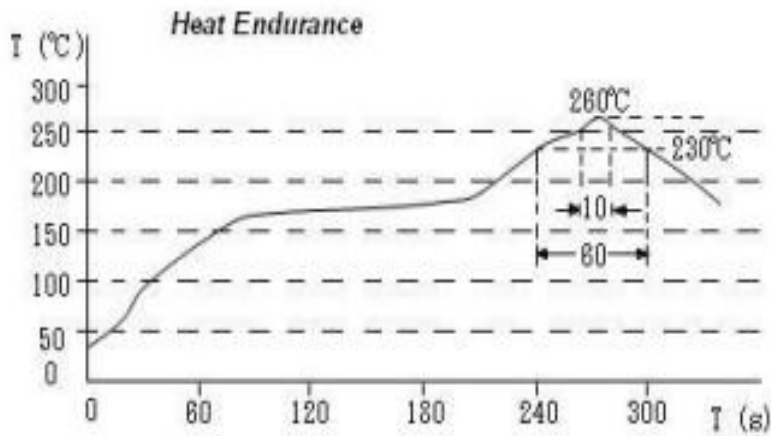
Address: Room 3018, Aoxin Innovation Research Institute, Building 34, Chentian Industrial Zone, Xixiang Street, Baoan District, Shenzhen

工厂地址: 中国 湖南省 衡阳市 衡山科学城 2-10栋

Address: Building 2-10, Hengshan Science City, Hengyang City, Hunan Province, China

客户名称 Customer	N/A	品名 Name	Magnetic enclosure shielding inductance	版本 Ver.	A00
客户型号 Model No.	N/A	料号 Material No.	N/A	日期 Date	2024.8.22
客户料号 Customer No.	N/A	型号 Model No.	IRSD103-105 Series	发行号 Release No.	JS-S-24082205

5. 建议回流焊温度条件/Recommended reflow temperature conditions:



公司地址：深圳市宝安区西乡街道臣田工业区 34 栋奥芯创新研究院 3018 室

Address: Room 3018, Aoxin Innovation Research Institute, Building 34, Chentian Industrial Zone, Xixiang Street, Baoan District, Shenzhen

工厂地址：中国 湖南省 衡阳市 衡山科学城 2-10栋

Address: Building 2-10, Hengshan Science City, Hengyang City, Hunan Province, China