

产品承认书

Specification For Approved

版本: REV.A00

客户名称/Customer name:	N/A
客户品名/Customer name:	N/A
客户型号/Customer Model number:	N/A
客户料号/Customer material number:	N/A
巨维品名/JW name:	Magnetic enclosure shielding inductance
巨维型号/JW Model number:	IRSF3316-5022 Series
巨维料号/JW Material number:	N/A

巨维签署/JW Signed			客户承认/Customer Approval		
制定 Prepared By	审核 Checked By	批准 Approved By	确认 Confirm By	审核 Checked By	承认 Approved By
唐秀玲	王瑞琳	欧奇林			
2024.8.22	2024.8.22	2024.8.22			

公司地址: 深圳市宝安区西乡街道臣田工业区 34 栋奥芯创新研究院 3018 室

Address: Room 3018, Aoxin Innovation Research Institute, Building 34, Chentian Industrial Zone, Xixiang Street, Baoan District, Shenzhen

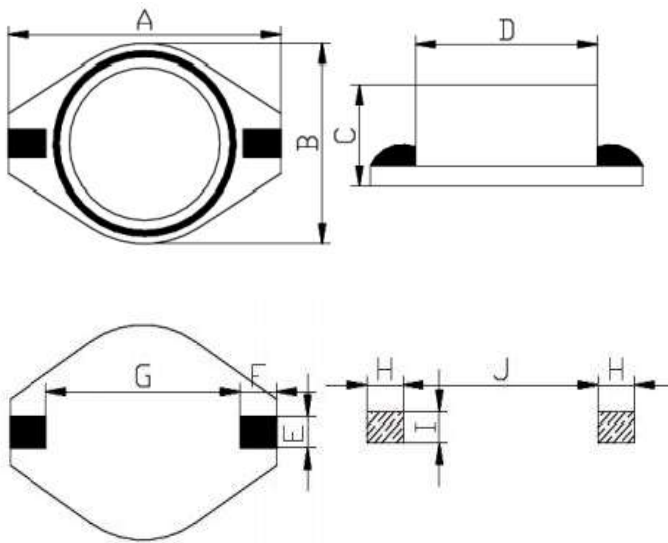
工厂地址: 中国 湖南省 衡阳市 衡山科学城 2-10 栋

Address: Building 2-10, Hengshan Science City, Hengyang City, Hunan Province, China

JS-RD-SPEC-001/A0

客户名称 Customer	N/A	品名 Name	Magnetic enclosure shielding inductance	版本 Ver.	A00
客户型号 Model No.	N/A	料号 Material No.	N/A	日期 Date	2024.8.22
客户料号 Customer No.	N/A	型号 Model No.	IRSF3316-5022 Series	发行号 Release No.	JS-S-24082209

1. 产品形状尺寸(单位:毫米)/Product Shape size(Unit:mm):



Series	Dimensions(mm)									
	A Max.	B Max.	C Max.	D Max.	E Ref.	F Ref.	G Ref	H Ref	I Ref.	J Ref
IRSF3316	12.95	9.4	5.21	8.38	2.54	2.54	7.62	2.9	3	7.3
IRSF5022	18.54	15.24	7.11	12.7	2.54	2.54	12.7	2.9	3	12.4

公司地址: 深圳市宝安区西乡街道臣田工业区 34 栋奥芯创新研究院 3018 室

Address: Room 3018, Aoxin Innovation Research Institute, Building 34, Chentian Industrial Zone, Xixiang Street, Baoan District, Shenzhen

工厂地址: 中国 湖南省 衡阳市 衡山科学城 2-10 栋

Address: Building 2-10, Hengshan Science City, Hengyang City, Hunan Province, China

客户名称 Customer	N/A	品名 Name	Magnetic enclosure shielding inductance	版本 Ver.	A00
客户型号 Model No.	N/A	料号 Material No.	N/A	日期 Date	2024.8.22
客户料号 Customer No.	N/A	型号 Model No.	IRSF3316-5022 Series	发行号 Release No.	JS-S-24082209

2. 品名型号命名指南/Nomenclature guidelines for product models:

J - IRSF 3316 A - 2R2 M - X
 ① ② ③ ④ ⑤ ⑥ ⑦

①	公司名称代码/Company name code
J	巨晟电子代码/JUSHENG electronic code
②	产品系列代码/Product family code
IRSF	磁罩屏蔽电感/Magnetic enclosure shielding inductance
③	产品外形尺寸(毫米)/Product dimension(mm)
3316	长12.95*宽9.4*高5.21毫米/Length12.95 *Width9.4 *Height5.21mm
④	外观形状区分代码, 请参考产品形状尺寸页面
A	Appearance shape distinguishes the code ,Please refer to the product shape and size page
⑤	电感量标识(亨利)/Inductance identification(H)
2R2	R22(0.22μH) , 2R2(2.2μH) , 100(10μH) , 221(220μH) , 202(2000μH)
⑥	电感容差字母代码/Inductance tolerance letter code
M	J±5% , K±10% , L±15% , M±20% , P±25% , N±30%
⑦	内部管理代码/Internal management code
X	无代码为常规产品, 其它请咨询/No code regular product, other please consult

3. 环境数据/Environmental data:

Operating Temperature range : -40 ~ +100°C(Including coil's self temperature rise)

Storage Temperature range : -40 ~ +100°C

Solder reflow temperature : 260°C peak

公司地址: 深圳市宝安区西乡街道臣田工业区 34 栋奥芯创新研究院 3018 室

Address: Room 3018, Aoxin Innovation Research Institute, Building 34, Chentian Industrial Zone, Xixiang Street, Baoan District, Shenzhen

工厂地址: 中国 湖南省 衡阳市 衡山科学城 2-10 栋

Address: Building 2-10, Hengshan Science City, Hengyang City, Hunan Province, China

客户名称 Customer	N/A	品名 Name	Magnetic enclosure shielding inductance	版本 Ver.	A00
客户型号 Model No.	N/A	料号 Material No.	N/A	日期 Date	2024.8.22
客户料号 Customer No.	N/A	型号 Model No.	IRSF3316-5022 Series	发行号 Release No.	JS-S-24082209

4. 电气性能表/Electrical Characteristics List:

IRSF3316Series

NO.	Part Number	Inductance (uH)	Test Freq. (KHz)	DCR Max. (Ω)	Isat A	Itemp A
1	J-IRSF3316A-1R0M	1.00	100/0.25	0.0210	5.6000	5.000
2	J-IRSF3316A-1R5M	1.50	100/0.25	0.0220	5.2000	4.500
3	J-IRSF3316A-2R2M	2.20	100/0.25	0.0320	5.0000	3.800
4	J-IRSF3316A-3R3M	3.30	100/0.25	0.0390	3.9000	3.300
5	J-IRSF3316A-4R7M	4.70	100/0.25	0.0540	3.2000	2.700
6	J-IRSF3316A-6R8M	6.80	100/0.25	0.0750	2.8000	2.200
7	J-IRSF3316A-100M	10.00	100/0.25	0.1010	2.4000	2.000
8	J-IRSF3316A-150M	15.00	100/0.25	0.1500	2.0000	1.500
9	J-IRSF3316A-220M	22.00	100/0.25	0.2070	1.6000	1.300
10	J-IRSF3316A-330M	33.00	100/0.25	0.3340	1.4000	1.100
11	J-IRSF3316A-470M	47.00	100/0.25	0.4720	1.0000	0.800
12	J-IRSF3316A-680M	68.00	100/0.25	0.6600	0.9000	0.700
13	J-IRSF3316A-101M	100.00	100/0.25	1.1100	0.8000	0.600
14	J-IRSF3316A-151M	150.00	100/0.25	1.5500	0.6000	0.500
15	J-IRSF3316A-221M	220.00	100/0.25	2.0000	0.5000	0.400
16						
17						
18						
19						
20						
21						
22						

Test remarks:

- 1.Isat:DC current at which the inductance drops approximate 35%from its value without current;
- 2.Itemp:DC current that causes the temperature rise($\Delta T = 40^{\circ}C$)from 25°C ambient.

公司地址：深圳市宝安区西乡街道臣田工业区 34 栋奥芯创新研究院 3018 室

Address: Room 3018, Aoxin Innovation Research Institute, Building 34, Chentian Industrial Zone, Xixiang Street, Baoan District, Shenzhen

工厂地址：中国 湖南省 衡阳市 衡山科学城 2-10栋

Address: Building 2-10, Hengshan Science City, Hengyang City, Hunan Province, China

客户名称 Customer	N/A	品名 Name	Magnetic enclosure shielding inductance	版本 Ver.	A00
客户型号 Model No.	N/A	料号 Material No.	N/A	日期 Date	2024.8.22
客户料号 Customer No.	N/A	型号 Model No.	IRSF3316-5022 Series	发行号 Release No.	JS-S-24082209

4. 电气性能表/**Electrical Characteristics List:**

IRSF5022Series

NO.	Part Number	Inductance (uH)	Test Freq. (KHz)	DCR Max. (Ω)	Isat A	Itemp A
1	J-IRSF5022A-100M	10.00	100/0.25	0.0400	8.0000	3.900
2	J-IRSF5022A-150M	15.00	100/0.25	0.0480	7.0000	3.400
3	J-IRSF5022A-220M	22.00	100/0.25	0.0590	6.0000	3.100
4	J-IRSF5022A-330M	33.00	100/0.25	0.0750	5.0000	2.800
5	J-IRSF5022A-470M	47.00	100/0.25	0.0970	4.0000	2.400
6	J-IRSF5022A-680M	68.00	100/0.25	0.1380	3.0000	2.000
7	J-IRSF5022A-101M	100.00	100/0.25	0.2070	2.4000	1.700
8	J-IRSF5022A-151M	150.00	100/0.25	0.2930	2.1000	1.300
9	J-IRSF5022A-221M	220.00	100/0.25	0.4700	1.9000	1.100
10	J-IRSF5022A-331M	330.00	100/0.25	0.7800	1.1000	0.860
11	J-IRSF5022A-471M	470.00	100/0.25	1.0800	1.1000	0.730
12	J-IRSF5022A-681M	680.00	100/0.25	1.4000	0.9600	0.640
13	J-IRSF5022A-102M	1000.00	100/0.25	2.0100	0.8000	0.530
14						
15						
16						
17						
18						
19						
20						
21						
22						

Test remarks:

- 1.Isat:DC current at which the inductance drops approximate 35%from its value without current;
- 2.Itemp:DC current that causes the temperature rise($\Delta T = 40^{\circ}C$)from 25°C ambient.

公司地址: 深圳市宝安区西乡街道臣田工业区 34 栋奥芯创新研究院 3018 室

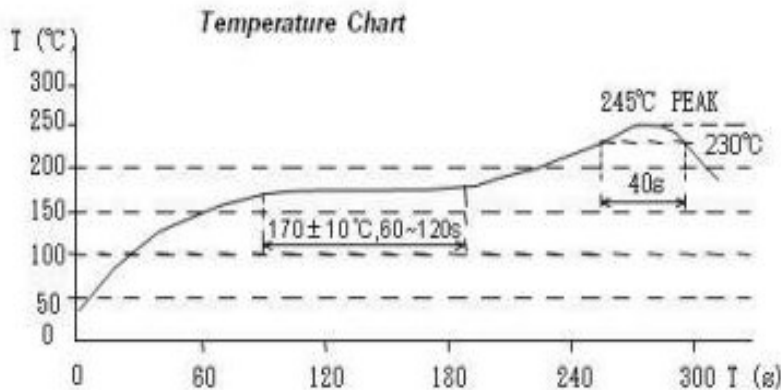
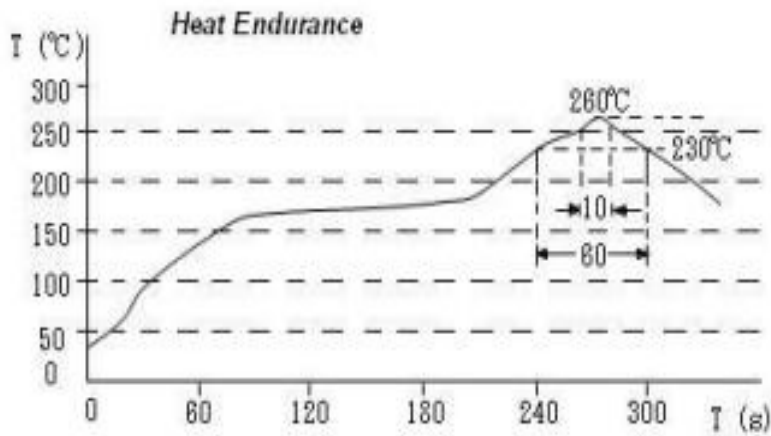
Address: Room 3018, Aoxin Innovation Research Institute, Building 34, Chentian Industrial Zone, Xixiang Street, Baoan District, Shenzhen

工厂地址: 中国 湖南省 衡阳市 衡山科学城 2-10栋

Address: Building 2-10, Hengshan Science City, Hengyang City, Hunan Province, China

客户名称 Customer	N/A	品名 Name	Magnetic enclosure shielding inductance	版本 Ver.	A00
客户型号 Model No.	N/A	料号 Material No.	N/A	日期 Date	2024.8.22
客户料号 Customer No.	N/A	型号 Model No.	IRSF3316-5022 Series	发行号 Release No.	JS-S-24082209

5. 建议回流焊温度曲线/Reflow temperature profile is recommended:



公司地址：深圳市宝安区西乡街道臣田工业区 34 栋奥芯创新研究院 3018 室

Address: Room 3018, Aoxin Innovation Research Institute, Building 34, Chentian Industrial Zone, Xixiang Street, Baoan District, Shenzhen

工厂地址：中国 湖南省 衡阳市 衡山科学城 2-10栋

Address: Building 2-10, Hengshan Science City, Hengyang City, Hunan Province, China