

## 产品承认书

## Specification For Approved

版本: REV.A00

客户名称/Customer name:	N/A
客户品名/Customer name:	N/A
客户型号/Customer Model number:	N/A
客户料号/Customer material number:	N/A
巨维品名/JW name:	Common mode inductance
巨维型号/JW Model number:	HMSC3225-4532-AL Series
巨维料号/JW Material number:	N/A

巨维签署/JW Signed			客户承认/Customer Approval		
制定 Prepared By	审核 Checked By	批准 Approved By	确认 Confirm By	审核 Checked By	承认 Approved By
唐秀玲	王瑞琳	欧奇林			
2024.8.22	2024.8.22	2024.8.22			

公司地址: 深圳市宝安区西乡街道臣田工业区 34 栋奥芯创新研究院 3018 室  
Address: Room 3018, Aoxin Innovation Research Institute, Building 34, Chentian Industrial Zone, Xixiang Street, Baoan District, Shenzhen

工厂地址: 中国 湖南省 衡阳市 衡山科学城 2-10 栋  
Address: Building 2-10, Hengshan Science City, Hengyang City, Hunan Province, China

# 深圳市巨维科技有限公司

Shenzhen Ju Wei Technology Co., Ltd

客户名称 Customer	N/A	品名 Name	Common mode inductance	版本 Ver.	A00
客户型号 Model No.	N/A	料号 Material No.	N/A	日期 Date	2024.8.22
客户料号 Customer No.	N/A	型号 Model No.	HMSC3225-4532-AL Series	发行号 Release No.	JS-S-24082212
<b>变更履历/Modify Record</b>					
版本 Ver.	变更内容/Change content		日期 Date	制定 Prepared By	审核 Checked By
A00	新发行/New release		2024.8.22	唐秀玲	王瑞琳

公司地址：深圳市宝安区西乡街道臣田工业区 34 栋奥芯创新研究院 3018 室

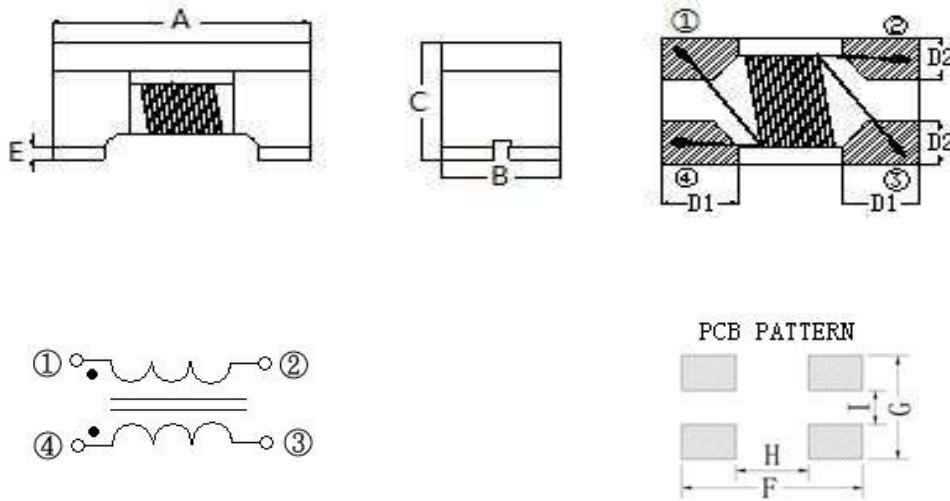
Address: Room 3018, Aoxin Innovation Research Institute, Building 34, Chentian Industrial Zone, Xixiang Street, Baoan District, Shenzhen

工厂地址：中国 湖南省 衡阳市 衡山科学城 2-10栋

Address: Building 2-10, Hengshan Science City, Hengyang City, Hunan Province, China

客户名称 Customer	N/A	品名 Name	Common mode inductance	版本 Ver.	A00
客户型号 Model No.	N/A	料号 Material No.	N/A	日期 Date	2024.8.22
客户料号 Customer No.	N/A	型号 Model No.	HMSC3225-4532-AL Series	发行号 Release No.	JS-S-24082212

1. 产品形状尺寸(单位:毫米)/Product Shape size(Unit:mm):



Series	Dimensions(mm)									
	A	B	C	E	D1	D2	F	G	I	H
HMSC3225	3.2 ±0.2	2.5 ±0.2	2.1 ±0.2	0.2 ±0.1	0.80 Typ	0.90 Typ	4.00 Typ.	2.50 Typ.	0.90 Typ	2.20 Typ.
HMSC4532	4.5 ± 0.2	3.2 ±0.2	2.8 ±0.2	0.2 ±0.1	1.00 Typ.	1.20 Typ	5.10 Typ.	3.60 Typ.	1.05 Typ.	3.40 Typ.

公司地址: 深圳市宝安区西乡街道臣田工业区 34 栋奥芯创新研究院 3018 室

Address: Room 3018, Aoxin Innovation Research Institute, Building 34, Chentian Industrial Zone, Xixiang Street, Baoan District, Shenzhen

工厂地址: 中国 湖南省 衡阳市 衡山科学城 2-10栋

Address: Building 2-10, Hengshan Science City, Hengyang City, Hunan Province, China

客户名称 Customer	N/A	品名 Name	Common mode inductance	版本 Ver.	A00
客户型号 Model No.	N/A	料号 Material No.	N/A	日期 Date	2024.8.22
客户料号 Customer No.	N/A	型号 Model No.	HMSC3225-4532-AL Series	发行号 Release No.	JS-S-24082212

2. 品名型号命名指南/Nomenclature guidelines for product models:

J - HMSC      3225      A - 110      P - X  
 ①                      ②                      ③                      ④                      ⑤                      ⑥                      ⑦

①	公司名称代码/Company name code
J	巨晟电子代码/JUSHENG electronic code
②	产品系列代码/Product family code
HMSC	共模电感/Common mode inductance
③	产品外形尺寸(毫米)/Product dimension(mm)
3225	长3.2*宽2.5*高2.1毫米/Length3.2*Width2.5*Height2.1mm
④	外观形状区分代码, 请参考产品形状尺寸页面
A	Appearance shape distinguishes the code ,Please refer to the product shape and size page
⑤	电感量标识(亨利)/Inductance identification(H)
110	R22(0.22μH) , 2R2(2.2μH) , 100(10μH) , 221(220μH) , 202(2000μH)
⑥	电感容差字母代码/Inductance tolerance letter code
P	+50%/-30% (省略不标识)
⑦	内部管理代码/Internal management code
X	无代码为常规产品, 其它请咨询/No code regular product, other please consult

3. 耐温等级/Temperature resistance class:

工作温度: -40°C~ +85°C(含自温升)

Operating Temperature : -40°C~ +85°C(Including self - temperature rise)

公司地址: 深圳市宝安区西乡街道臣田工业区 34 栋奥芯创新研究院 3018 室

Address: Room 3018, Aoxin Innovation Research Institute, Building 34, Chentian Industrial Zone, Xixiang Street, Baoan District, Shenzhen

工厂地址: 中国 湖南省 衡阳市 衡山科学城 2-10栋

Address: Building 2-10, Hengshan Science City, Hengyang City, Hunan Province, China

客户名称 Customer	N/A	品名 Name	Common mode inductance	版本 Ver.	A00
客户型号 Model No.	N/A	料号 Material No.	N/A	日期 Date	2024.8.22
客户料号 Customer No.	N/A	型号 Model No.	HMSC3225-4532-AL Series	发行号 Release No.	JS-S-24082212

4. 电气性能表/Electrical Characteristics List:

HMSC3225-4532-AL Series

NO.	Part Number	Z	L	Freq	Rdc	Irms	Rated Voltge	Insulation Resistance
		10MHZ (Ω)	(μH)	(KHz/V)	(Ω) Max	(mA) Max	Volts	(MΩ) Min
1	J-HMSC3225A-110AL	300min	11 (+50%/-30%)	100/0.1	0.40	300.000	50.00	10.0
2	J-HMSC3225A-220AL	500min	22 (+50%/-30%)	100/0.1	0.50	250.000	50.00	10.0
3	J-HMSC3225A-510AL	1000min	51 (+50%/-30%)	100/0.1	0.70	200.000	50.00	10.0
4	J-HMSC3225A-101AL	2000min	100 (+50%/-30%)	100/0.1	1.50	150.000	50.00	10.0
5	J-HMSC3225A-201AL	8000min	200 (+50%/-30%)	100/0.1	4.80	70.000	50.00	10.0
6	J-HMSC4532A-110AL	300min	11 (+50%/-30%)	100/0.1	0.60	360.000	50.00	10.0
7	J-HMSC4532A-220AL	500min	22 (+50%/-30%)	100/0.1	1.00	310.000	50.00	10.0
8	J-HMSC4532A-510AL	1000min	51 (+50%/-30%)	100/0.1	1.00	230.000	50.00	10.0
9	J-HMSC4532A-101AL	2000min	100 (+50%/-30%)	100/0.1	2.00	200.000	50.00	10.0
10	J-HMSC4532A-201AL	5000min	200 (+50%/-30%)	100/0.1	4.50	100.000	50.00	10.0
11								
12								
13								
14								
15								

Test remarks:

- 1.Rating DC current: Temperature rise( $\Delta T$ ) is 40°C approximately at Irms.
- 2.Operating temp.: -40°C~ +85°C
- 3.Storage temp.: -10°C ~ +40°C R.H.: 65% Max
- 4.Moisture sensitivity level (MSL) 2 (1 year floor life at < 30°C/65% relative humidity)

公司地址: 深圳市宝安区西乡街道臣田工业区 34 栋奥芯创新研究院 3018 室

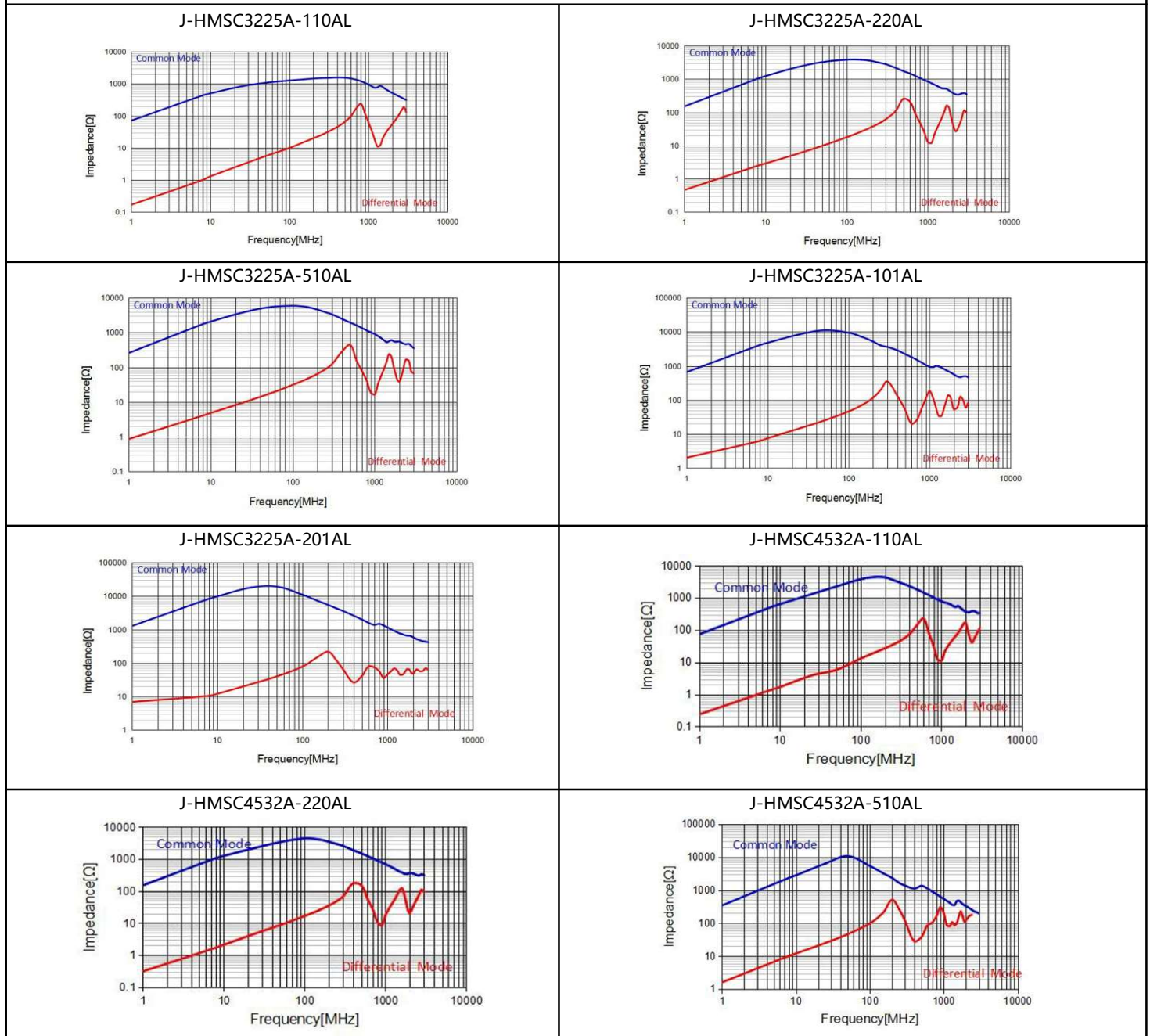
Address: Room 3018, Aoxin Innovation Research Institute, Building 34, Chentian Industrial Zone, Xixiang Street, Baoan District, Shenzhen

工厂地址: 中国 湖南省 衡阳市 衡山科学城 2-10栋

Address: Building 2-10, Hengshan Science City, Hengyang City, Hunan Province, China

客户名称 Customer	N/A	品名 Name	Common mode inductance	版本 Ver.	A00
客户型号 Model No.	N/A	料号 Material No.	N/A	日期 Date	2024.8.22
客户料号 Customer No.	N/A	型号 Model No.	HMSC3225-4532-AL Series	发行号 Release No.	JS-S-24082212

## 5. 曲线图/



公司地址：深圳市宝安区西乡街道臣田工业区 34 栋奥芯创新研究院 3018 室

Address: Room 3018, Aoxin Innovation Research Institute, Building 34, Chentian Industrial Zone, Xixiang Street, Baoan District, Shenzhen

工厂地址：中国 湖南省 衡阳市 衡山科学城 2-10栋

Address: Building 2-10, Hengshan Science City, Hengyang City, Hunan Province, China

客户名称 Customer	N/A	品名 Name	Common mode inductance	版本 Ver.	A00
客户型号 Model No.	N/A	料号 Material No.	N/A	日期 Date	2024.8.22
客户料号 Customer No.	N/A	型号 Model No.	HMSC3225-4532-AL Series	发行号 Release No.	JS-S-24082212

### 5. 曲线图/

<p>J-HMSC4532A-101AL</p>	<p>J-HMSC4532A-201AL</p>

公司地址：深圳市宝安区西乡街道臣田工业区 34 栋奥芯创新研究院 3018 室

Address: Room 3018, Aoxin Innovation Research Institute, Building 34, Chentian Industrial Zone, Xixiang Street, Baoan District, Shenzhen

工厂地址：中国 湖南省 衡阳市 衡山科学城 2-10栋

Address: Building 2-10, Hengshan Science City, Hengyang City, Hunan Province, China